

Product data sheet

Characteristics

MD3604X

Motor disconnect switch, 3 P, 60 A, NEMA 1, 3, 3R, 4, 4X and 12 enclosure



Product availability: Non-Stock - Not normally stocked in distribution facility

Price*: 165.80 USD



Main

Range of Product	MD
Product or Component Type	Motor Disconnect Switch
Line Rated Current	60 A
Maximum Horse Power Rating	20 Hp 220/240 V AC 40 Hp 440/480 V AC 40 Hp 600 V AC
NEMA Degree of Protection	NEMA 4X
Product Certifications	UL Listed

Complementary

Maximum Height	8.27 In (210.06 mm)
Maximum Width	4.94 In (125.48 mm)
Maximum Depth	4.37 In (111.00 mm)
Net Weight	2.12 Lb(US) (0.96 kg)

Ordering and shipping details

Category	21734 - TESYS VLS DISCONNECT SWITCHES
Discount Schedule	CP1
GTIN	03606480190230
Nbr. of units in pkg.	1
Package weight(Lbs)	33.47 Oz (949 g)
Returnability	Yes
Country of origin	TN

Packing Units

Unit Type of Package 1	PCE
Package 1 Height	4.80 In (12.2 cm)
Package 1 width	5.51 In (14 cm)
Package 1 Length	10.04 In (25.5 cm)

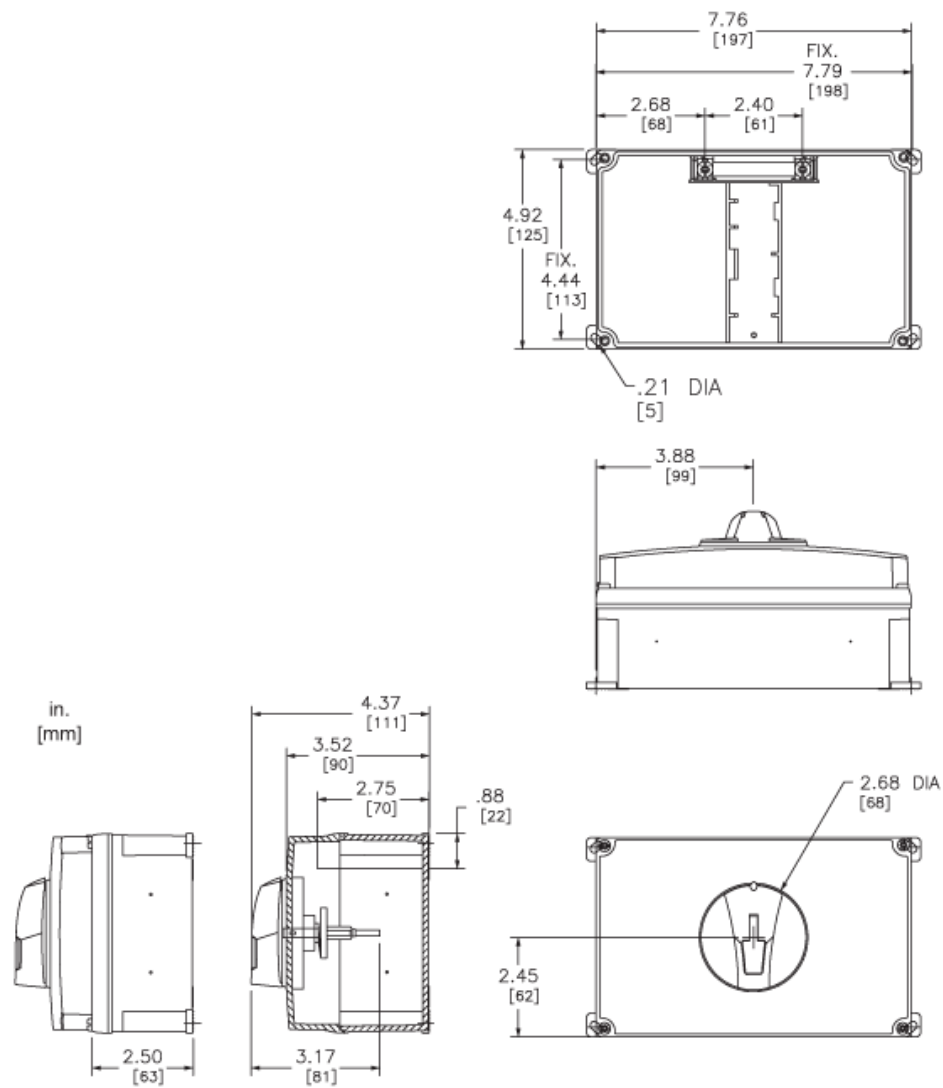
Offer Sustainability

Sustainable offer status	Green Premium product
California proposition 65	WARNING: This product can expose you to chemicals including: Formaldehyde (gas), which is known to the State of California to cause cancer. For more information go to www.P65Warnings.ca.gov
REACH Regulation	REACH Declaration
REACH free of SVHC	Yes
EU RoHS Directive	Compliant EU RoHS Declaration
Toxic heavy metal free	Yes
Mercury free	Yes
RoHS exemption information	Yes
China RoHS Regulation	China RoHS Declaration
Environmental Disclosure	Product Environmental Profile

Contractual warranty

Warranty	18 months
----------	-----------

Approximate Dimensions



Product Life Status : Commercialised